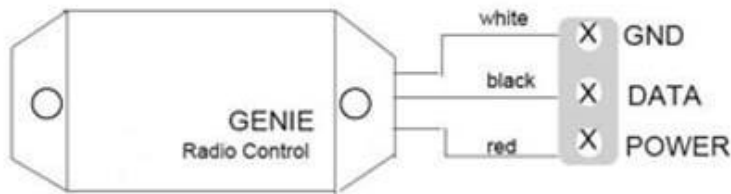


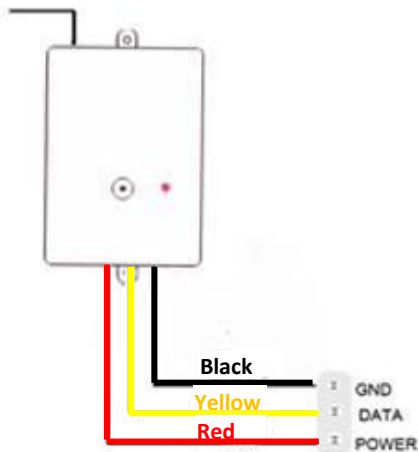
MK701G/702G Instruction

Please refer the diagram below as the existing Genie control connection



Before installing MK701G/702G receiver, please remove the existing control connection (disconnect the 3 wires off the screw terminals)

Now, you can start to connect MK701G/702G receiver as shown below



Note: the order of the wires connecting is different.

All remotes coming with it are pre-coded, so you don't need to do the program after installing the receiver. However, you can find the program process below just in case.

Storing Transmitter Coding (Note: This unit has been pre-coded before send for quality testing)

1. Press LEARN button on Receiver once, the Signal LED will be on
2. Press one button of the transmitter (whichever one you want to control the door), Signal LED will be off
3. Press the same button of the remote again, LED will be flashing
When the LED stops flashing, the coding sequence is complete.