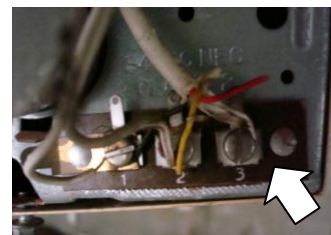
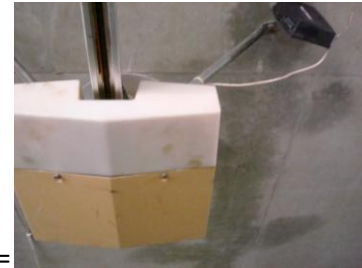
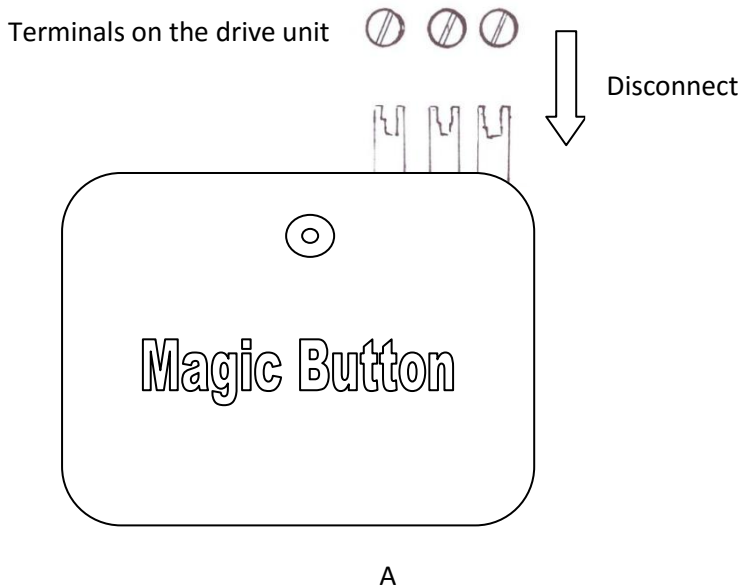


MK701/702MB-MagicButton Instruction

1. Switch the motor power off
2. Remove old receiver box off screw terminals on the drive unit (check A or B below, please find the right existing connection in your garage door, and do the disconnection as shown accordingly)

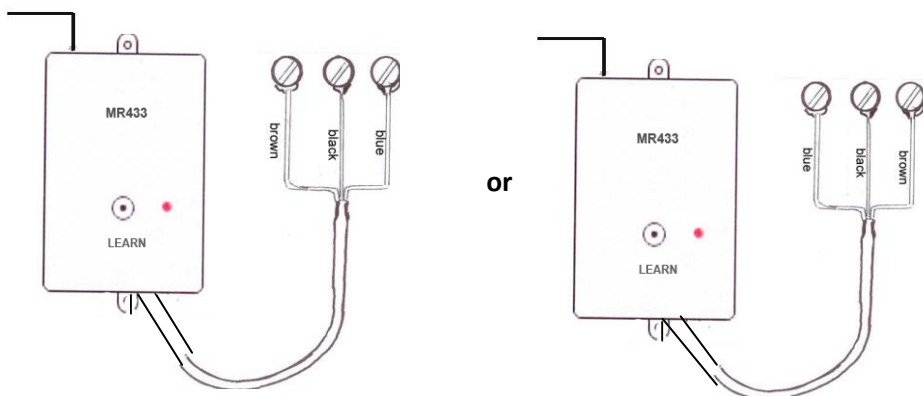


Disconnect the 3 wires

B

3. Once you disconnect the existing receiver, you can start to connect the MK receiver as shown below to the drive unit

Try to connect as below (one of the ways would be correct for your door)



4. Switch power on, and use the new remotes.

Storing Transmitter Coding (Note: This unit has been pre-coded before send for quality testing)

1. Press LEARN button on Receiver once, the Signal LED will be on
2. Press one button of the transmitter (any button you want to control the door), Signal LED will be off
3. Press the same button of the remote again, LED will be flashing, when the LED stops flashing, the coding sequence is complete.