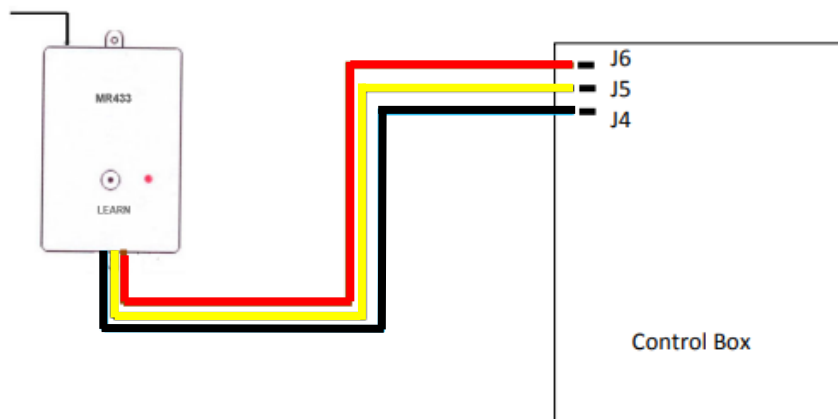


MK701ST/MK702ST Steel Line Instruction

Thank you for purchasing MK701ST/MK702ST receiver kit. This is the right replacement for old steel-line remote. Please follow the steps below to connect the receiver to the control box.

1. Turn off the power.
2. Open the control box (the control box is located either on the wall or on the drive unit).



3. After open it, you can see there are 3 wires connected to 3 terminals on the control board (the pointed position on the photo). Disconnect the existing 3 wires, and connect the 3 wires of the MK receiver to the terminals.

The simple connection has been done. You can try to use the new remotes now.

Note: sometimes you need to try more than once to connect the receiver wires in different order.

Storing Transmitter Coding (Note: This unit has been pre-coded before send for testing purpose)

1. Press LEARN button on Receiver once, the Signal LED will be on
2. Press one button of the transmitter (any one you want to control the door), Signal LED will be off
3. Press the same button of the remote again, LED will be flashing
When the LED stops flashing, the coding sequence is complete.

Delete coding

Press and hold LEARN button on the receiver for about 10 sec, all the coding are removed.